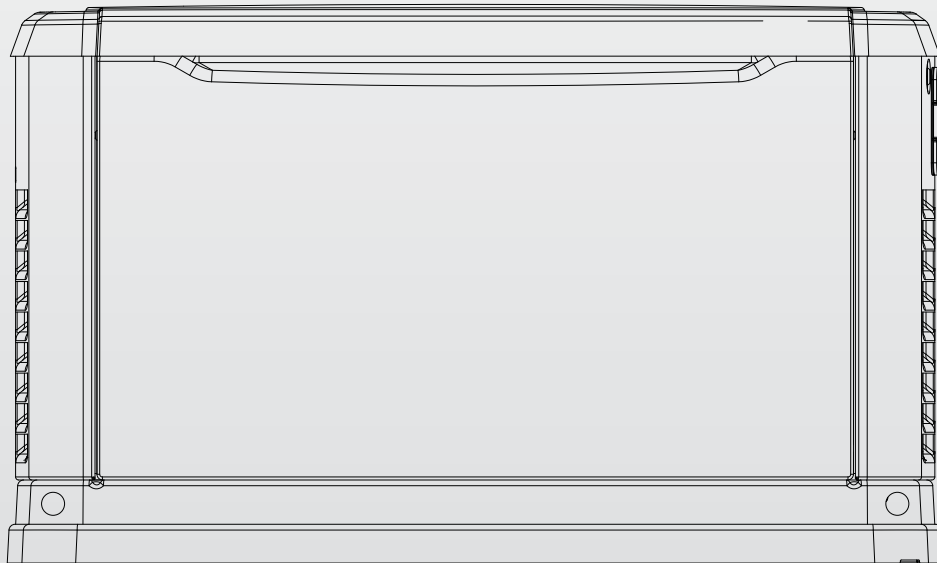


Manual de despiece

Generadores Serie Guardian

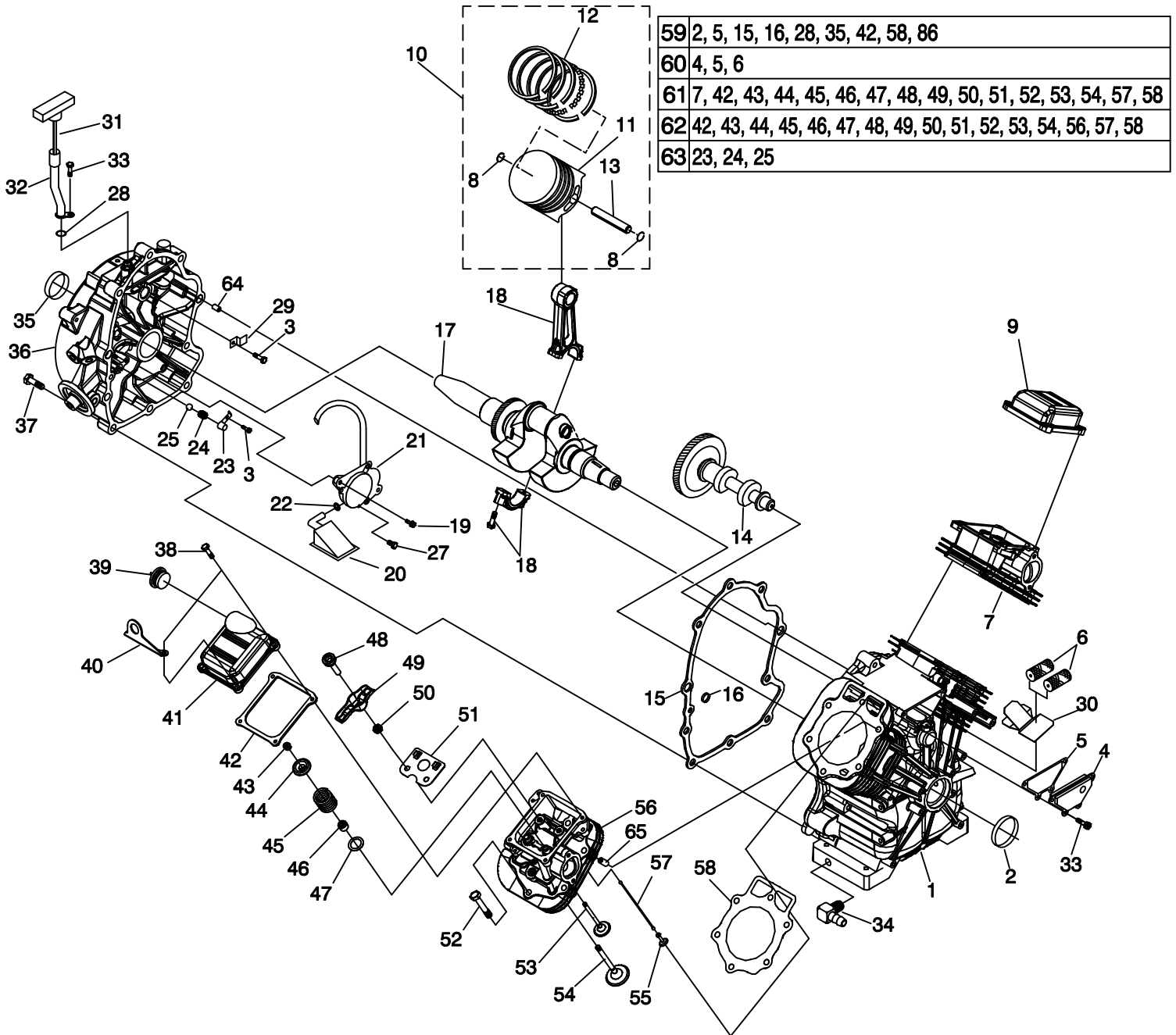
Modelo 13 kW



⚠ ¡PELIGRO!

- ⚠** NO ESTÁN DESTINADOS AL USO EN APLICACIONES CRÍTICAS DE SOPORTE A LA VIDA HUMANA.
- ⚠** ESTE PRODUCTO PUEDE SER INSTALADO POR EL PROPIETARIO DE LA CASA. SIN EMBARGO, SI NO SE SIENTE CÓMODO CON LAS HABILIDADES O HERRAMIENTAS REQUERIDAS, HAGA QUE UN ELECTRICISTA O CONTRATISTA CUALIFICADO EFECTÚE LA INSTALACIÓN.
- ⚠** ¡EMANACIONES DE ESCAPE MORTALES! ¡SOLO PARA INSTALACIÓN EN EXTERIORES!

MOTOR V - TWIN 990GT



EXPLODED VIEW: ENGINE GH990/999 HSB 2013
DRAWING #: 0J9882

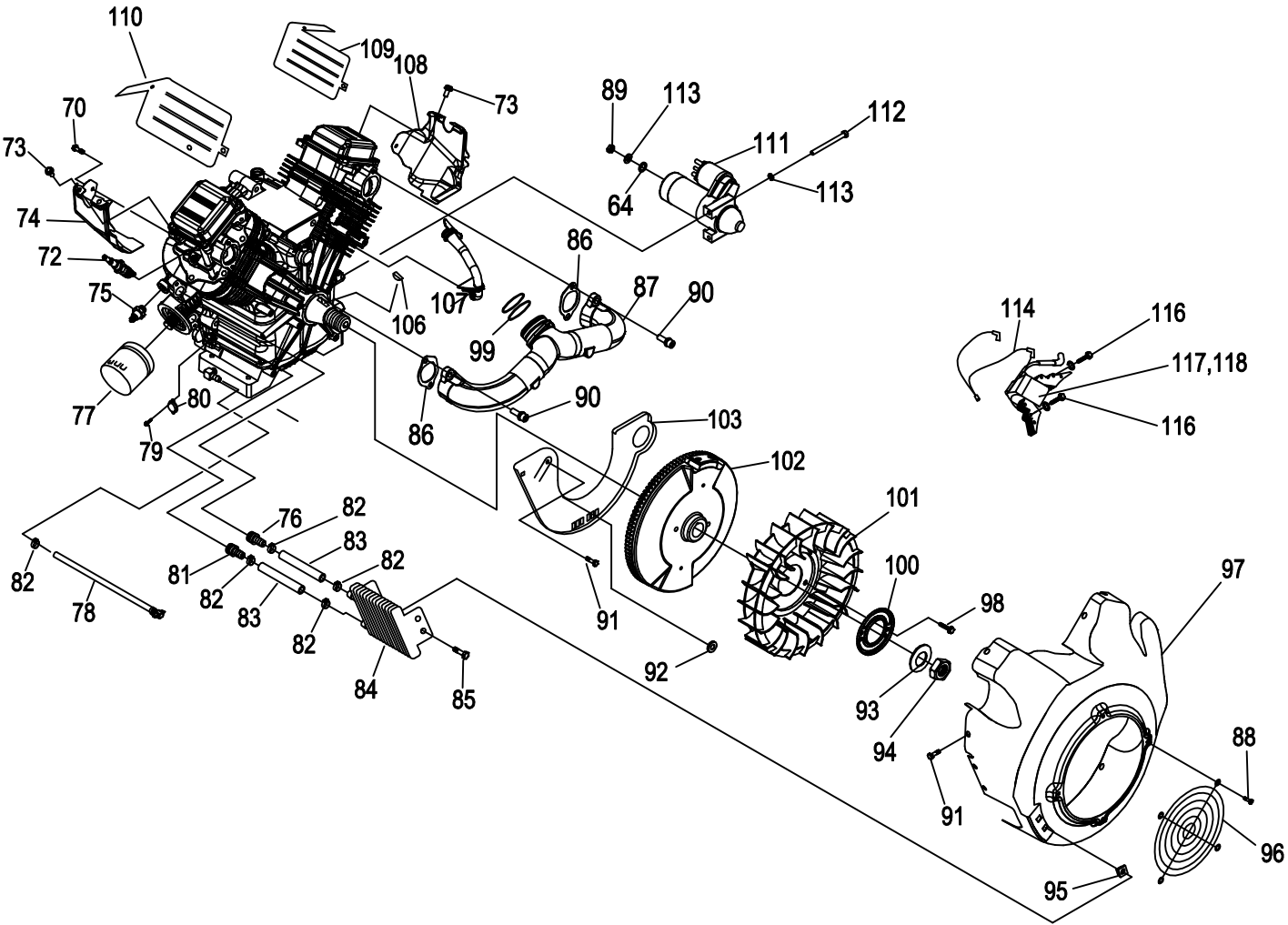
GROUP D

APPLICABLE TO: HSB 2013

ITEM	PART #	QTY.	DESCRIPTION
1	0G8548	1	ASSY CRANKCASE WITH SLEEVE
2	0K1534	1	SEAL CRANKSHAFT FLYWHEEL RED
3	0G0919	5	SCREW HHFCS M6-1.0 X 12 G8.8
4	0G9100	1	ASSEMBLY, BREATHER DUAL VALVE
5	0C3005	1	GASKET, BREATHER COVER
6	0E3372C	2	SEPARATOR, OIL BREATHER
7	0H1760A	1	ASSY HEAD CYL #1
8	071983	4	RETAINER, PISTON PIN 20
9	0C2981C	1	ROCKER, COVER NO OIL FILL
10	0K1633	2	ASSY PISTON FLAT TOP
11	0K0988	2	PISTON, FLAT TOP DIA 90 COATED
12	0G2565	2	RING SET, PISTON DIA 90
13	0G7940	2	PIN, PISTON
14	0D4041	1	ASSY, CAMSHAFT & GEAR (13,14,16,17KW)
	0G7974	1	ASSY, CAMSHAFT & GEAR (20KW)
15	0C2977	1	GASKET, CRANK CASE
16	0C5943	1	SEAL, OIL PASSAGE
17	0E4357E	1	ASSY, CRANK & GEAR (13,14, 16,17KW)
	0G5001E	1	ASSY, C'SHAFT 0.D. 41 (20KW)
18	0J8969	2	ASSY CONROD MACH GT990 (13,14,16,17KW)
	0J8968	2	ASSY CONROD MACH GT999 (20KW)
19	0G6431	2	SCREW SHC SEMS M6-1.0 X 50 G8.8
20	0E6098	1	SCREEN, OIL PICKUP
21	0D4123B	1	ASSEMBLY, OIL PUMP W/O O-RING
22	0E8152	1	O-RING .49 ID X .07 THICK
23	0C3011	2	COVER, OIL RELIEF
24	0C3009	2	SPRING, OIL RELIEF
25	0C3010	2	BALL, 1/2D OIL RELIEF
27	0F5458	1	SCREW, PLASTITE HI-LOW #10
28	0C3027	1	O-RING, 3/8" X 1/2"
29	0C5998	1	CLAMP, OIL TUBE
30	0G8558	1	DIVERTER, BREATHER GTH
31	0H6859L	1	ASSEMBLY, DIPSTICK WITH HANDLE ORG
32	0K1050	1	TUBE, DIPSTICK
33	0D6147	5	SCREW HHFC M6-1.0 X 10mm
34	043790A	1	BARBED ELBOW 90 3/8NPT X 3/8 VS
35	0K2035	1	SEAL CRANKSHAFT PTO RED
36	0F8054	1	GEARCOVER / ADAPTOR GTH-990
37	0C3006	10	SCREW, HHFC M10-1.5 X 55
38	080318	8	SCREW HHFC M6-1.0 X 25
39	093064A	1	ASSEMBLY, OIL FILL CAP ORG
40	0K4867	2	LIFT HOOK GT990/760
41	0D2723B	1	ROCKER, COVER WITH OIL FILL
42	0C2979	2	GASKET, VALVE COVER
43	086515	8	KEEPER, VALVE SPRING
44	0D2274	4	RETAINER, VALVE SPRING
45	0D3867	4	SPRING, VALVE
46	078672	2	SEAL, VALVE STEM D7
47	0C5371	4	WASHER, VALVE SPRING
48	072694	4	STUD, ROCKER ARM PIVOT
49	0D5313	4	ROCKER ARM
50	0D3998	4	NUT HEX M8-1.0 G8 YEL CHR

ITEM	PART #	QTY.	DESCRIPTION
51	0J9679	2	PLATE, PUSH ROD GUIDE
52	0C2976	12	SCREW HHFC M8-1.25 X 65
53	086516	2	VALVE, EXHAUST
54	0C2229	2	VALVE, INTAKE
55	083897	4	TAPPET, SOLID
56	0H1760B	1	ASSY HEAD CYL #2
57	0D9853D	4	PUSHROD, 147
58	0C2978	2	GASKET, HEAD
59	0D4010	1	KIT GASKET
60	0D4012	1	KIT BREATHER ASSEMBLY
61	0D8675A	1	KIT HEAD ASSEMBLY CYLINDER 1
62	0D8675B	1	KIT HEAD ASSEMBLY CYLINDER 2
63	0D4015	1	KIT OIL RELIEF
64	078699C	2	SLEEVE DOWEL PIN 14 DIA.
65	078699B	4	SLEEVE DOWEL PIN 12 DIA.
66	0C4166	1	SLEEVE PTO BEARING [NOT SHOWN]

GROUP D



EXPLODED VIEW: EV ENGINE GTH990-999 HSB 2013
DRAWING #: 0J9882

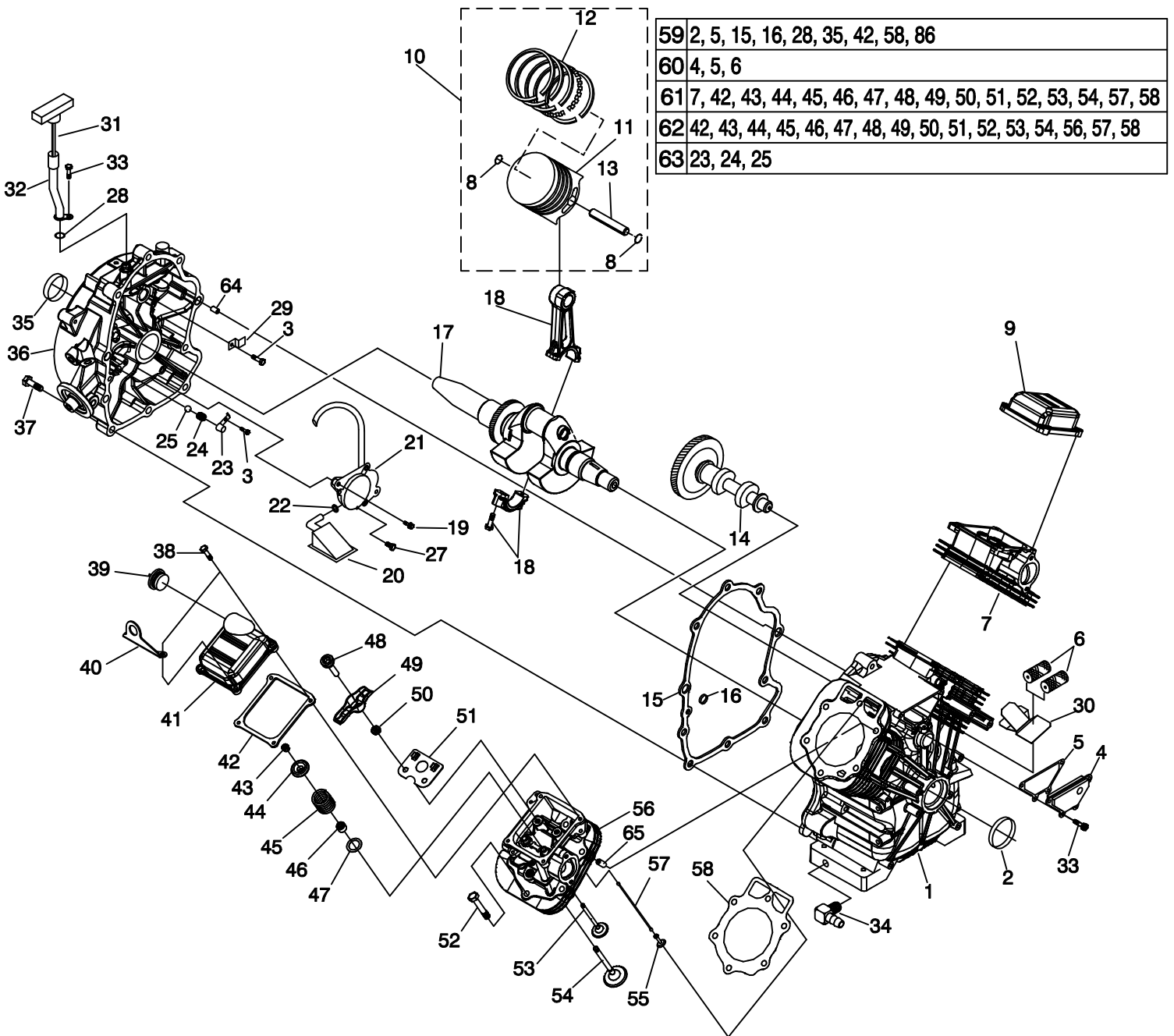
GROUP D

APPLICABLE TO: 2013 HSB

ITEM	PART #	QTY.	DESCRIPTION
64	022145	1	WASHER FLAT M8 - 5/16
70	0G0919	2	SCREW M6-1.0 X 12
72	0E7585A	2	SPARKPLUG, RCY14 .040"GAP (13,14,16,17Kw)
	0G0767A	2	SPARKPLUG, RC12 .040" GAP (20Kw)
73	0E6043	2	SCREW TAPTITE M5 - 0.8 X 8
74	0G7606	1	WRAPPER, LOWER CYLINDER 2 ZINC
75	0G6820	1	SWITCH, OIL PRESS
76	0H6244	1	EXTENDED BARBED STR 1/4 NPT X 3/8
77	070185E	1	OIL FILTER, 90mm
78	0H8131	1	ASSY, OIL DRAIN HOSE ORG
79	0F2094	2	SCREW M3 - 0.5 X 6 SEMS
80	094090	1	SWITCH, THERMAL 293F
81	035461	1	BARBED STRAIGHT 1/4NPT X 3/8
82	0G3662B	5	CLAMP, HOSE OETIKER STEPLESS 18.5mm
83	0F0452C	2	HOSE 3/8" 300PSI 6" LG OIL
84	0E9506	1	COOLER, OIL
85	0C9764	4	SCREW PLASTITE 1/4-15 X 3/4
86	0C3043	2	GASKET, MANIFOLD / PORT
87	0J9765	1	MANIFOLD INT GTH999 2X
88	045756	4	SCREW, HHTT M6-1 x 10 LONG
89	082025	1	NUT, HEX LOCK M5-0.8 ZINC
90	0G3730A	4	SCREW SHC M8 - 1.25 X 30 SEMS
91	090388	16	SCREW TAPTITE M6-1X12 CLEAR ZINC
92	0K1307	1	GROMMET 3/16 X 1/16
93	0C3033	1	WASHER, 25MM I.D.
94	0C3034	1	NUT, HEX M24
95	0C9763	4	NUT, GROMMET 1/4 PLUG
96	0D1131	1	GUARD, FAN
97	0F1169K	1	HOUSING, BLOWER NG COOLER
98	0H4957	2	SCREW HHFCS M8 - 1.25 X 10 G8.8
99	0K0710	2	O-RING 1-3/4 X 1/16
100	0C3032	1	PLATE, FAN
101	0C3031	1	FAN, NYLON
102	0C3725B	1	ASSY, FLYWHEEL (13,14,16,17Kw)
	0C3725D	1	ASSY, FLYWHEEL (20Kw)
	0C3725F	1	ASSY, FLYWHEEL (22Kw/VSCF)
103	0G4928C	1	PLATE, BACKING WITH CUT OUT
106	082774	1	KEY, WOODRUFF 4 X 19D
107	0K3134	1	HOSE BREATHER
108	0G7604	1	WRAPPER, LOWER CYLINDER 1 ZINC
109	0G7603	1	WRAPPER, UPPER CYLINDER 1 ZINC
110	0G7605	1	WRAPPER, UPPER CYLINDER 2 ZINC
111	0E9323	1	STARTER MOTOR HEAR REDUCED 1KW
112	061906	2	SCREW HHC M8 - 1.25 X 85 G8.8
113	022129	3	WASHER LOCK M8 - 5/16
114	0K1280	1	ASSEMBLY, GROUND WIRE
116	0G3110	4	SCREW TAPTITE M6 - 1.0 X 20 ZINC
117	0G3224TA	1	ASSY, IGN COIL W/DIODE, CYLINDER 1
118	0G3224TB	1	ASSY, IGN COIL W/DIODE, CYLINDER 2
119	082025	1	NUT HEX LOCK M5X 0.8

ITEM	PART #	QTY.	DESCRIPTION
------	--------	------	-------------

GROUP D



EXPLODED VIEW: ENGINE GH990/999 HSB 2013
DRAWING #: 0J9882

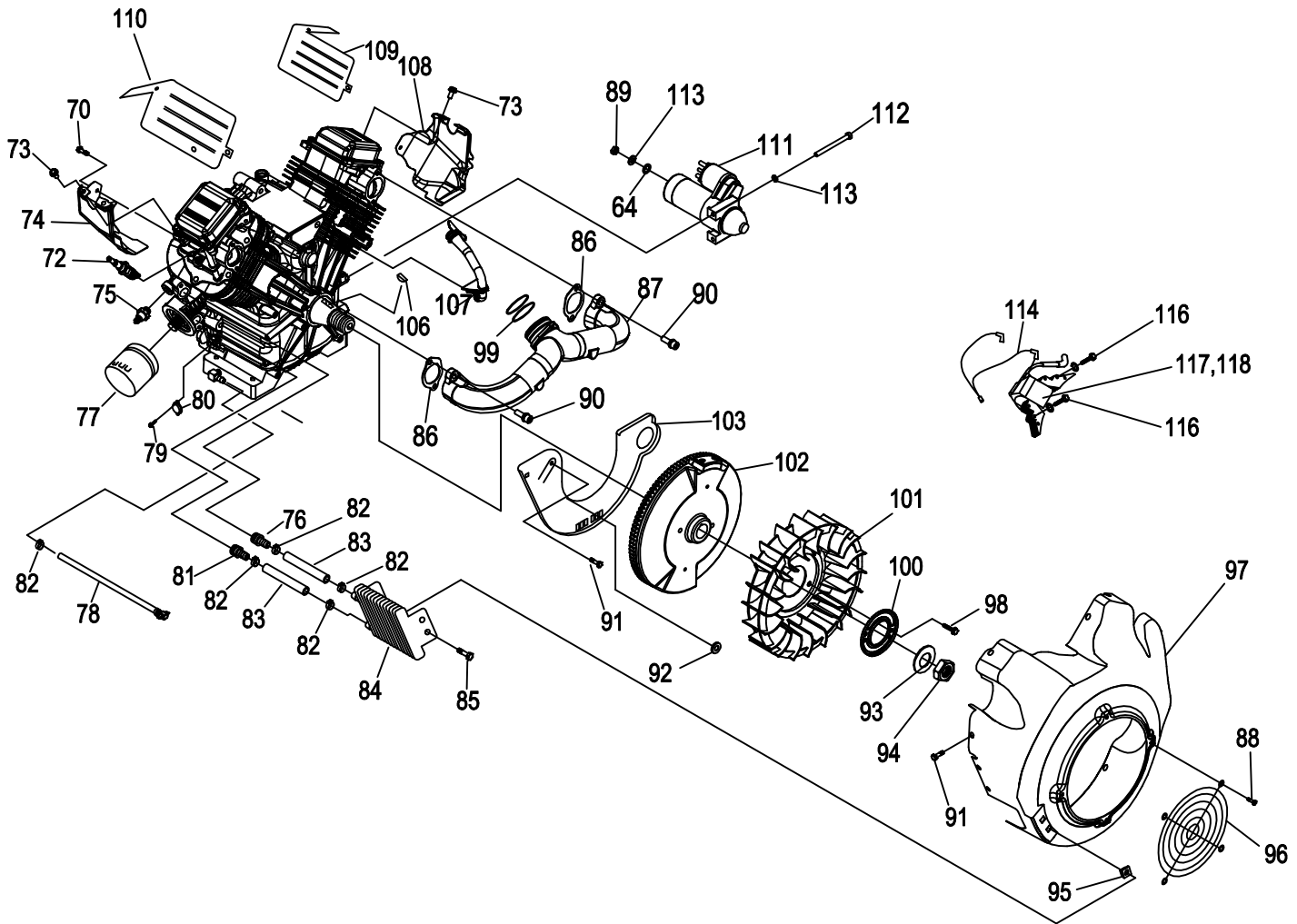
GROUP D

APPLICABLE TO: HSB 2013

ITEM	PART #	QTY.	DESCRIPTION
1	0G8548	1	ASSY CRANKCASE WITH SLEEVE
2	0K1534	1	SEAL CRANKSHAFT FLYWHEEL RED
3	0G0919	5	SCREW HHFCS M6-1.0 X 12 G8.8
4	0G9100	1	ASSEMBLY, BREATHER DUAL VALVE
5	0C3005	1	GASKET, BREATHER COVER
6	0E3372C	2	SEPARATOR, OIL BREATHER
7	0H1760A	1	ASSY HEAD CYL #1
8	071983	4	RETAINER, PISTON PIN 20
9	0C2981C	1	ROCKER, COVER NO OIL FILL
10	0K1633	2	ASSY PISTON FLAT TOP
11	0K0988	2	PISTON, FLAT TOP DIA 90 COATED
12	0G2565	2	RING SET, PISTON DIA 90
13	0G7940	2	PIN, PISTON
14	0D4041	1	ASSY, CAMSHAFT & GEAR (13,14,16,17KW)
15	0G7974	1	ASSY, CAMSHAFT & GEAR (20KW)
16	0C2977	1	GASKET, CRANK CASE
17	0C5943	1	SEAL, OIL PASSAGE
18	0E4357E	1	ASSY, CRANK & GEAR (13,14,16,17KW)
19	0G5001E	1	ASSY,C'SHAFT 0.D. 41 (20KW)
20	0J8969	2	ASSY CONROD MACH GT990 (13,14,16,17KW)
21	0J8968	2	ASSY CONROD MACH GT999 (20KW)
22	0G6431	2	SCREW SHC SEMS M6-1.0 X 50 G8.8
23	0E6098	1	SCREEN, OIL PICKUP
24	0D4123B	1	ASSEMBLY, OIL PUMP W/O O-RING
25	0E8152	1	O-RING .49 ID X .07 THICK
26	0C3011	2	COVER, OIL RELIEF
27	0C3009	2	SPRING, OIL RELIEF
28	0C3010	2	BALL, 1/2D OIL RELIEF
29	0F5458	1	SCREW, PLASTITE HI-LOW #10
30	0C3027	1	O-RING, 3/8" X 1/2"
31	0C5998	1	CLAMP, OIL TUBE
32	0G8558	1	DIVERTER,BREATHER GTH
33	0H6859L	1	ASSEMBLY, DIPSTICK WITH HANDLE ORG
34	0K1050	1	TUBE, DIPSTICK
35	0D6147	5	SCREW HHFC M6-1.0 X 10mm
36	043790A	1	BARBED ELBOW 90 3/8NPT X 3/8 VS
37	0K2035	1	SEAL CRANKSHAFT PTO RED
38	0F8054	1	GEARCOVER / ADAPTOR GTH-990
39	0C3006	10	SCREW, HHFC M10-1.5 X 55
40	080318	8	SCREW HHFC M6-1.0 X 25
41	093064A	1	ASSEMBLY, OIL FILL CAP ORG
42	0G1839	2	LIFT HOOK GT990/760
43	0D2723B	1	ROCKER, COVER WITH OIL FILL
44	0C2979	2	GASKET, VALVE COVER
45	086515	8	KEEPER, VALVE SPRING
46	0D2274	4	RETAINER, VALVE SPRING
47	0D3867	4	SPRING, VALVE
48	078672	2	SEAL, VALVE STEM D7
49	0C5371	4	WASHER, VALVE SPRING
50	072694	4	STUD, ROCKER ARM PIVOT
51	0D5313	4	ROCKER ARM
52	0D3998	4	NUT HEX M8-1.0 G8 YEL CHR

ITEM	PART #	QTY.	DESCRIPTION
51	0J9679	2	PLATE, PUSH ROD GUIDE
52	0C2976	12	SCREW HHFC M8-1.25 X 65
53	086516	2	VALVE, EXHAUST
54	0C2229	2	VALVE, INTAKE
55	083897	4	TAPPET, SOLID
56	0H1760B	1	ASSY HEAD CYL #2
57	0D9853D	4	PUSHROD, 147
58	0C2978	2	GASKET, HEAD
59	0D4010	1	KIT GASKET
60	0D4012	1	KIT BREATHER ASSEMBLY
61	0D8675A	1	KIT HEAD ASSEMBLY CYLINDER 1
62	0D8675B	1	KIT HEAD ASSEMBLY CYLINDER 2
63	0D4015	1	KIT OIL RELIEF
64	078699C	2	SLEEVE DOWEL PIN 14 DIA.
65	078699B	4	SLEEVE DOWEL PIN 12 DIA.
66	0C4166	1	SLEEVE PTO BEARING [NOT SHOWN]

GROUP D



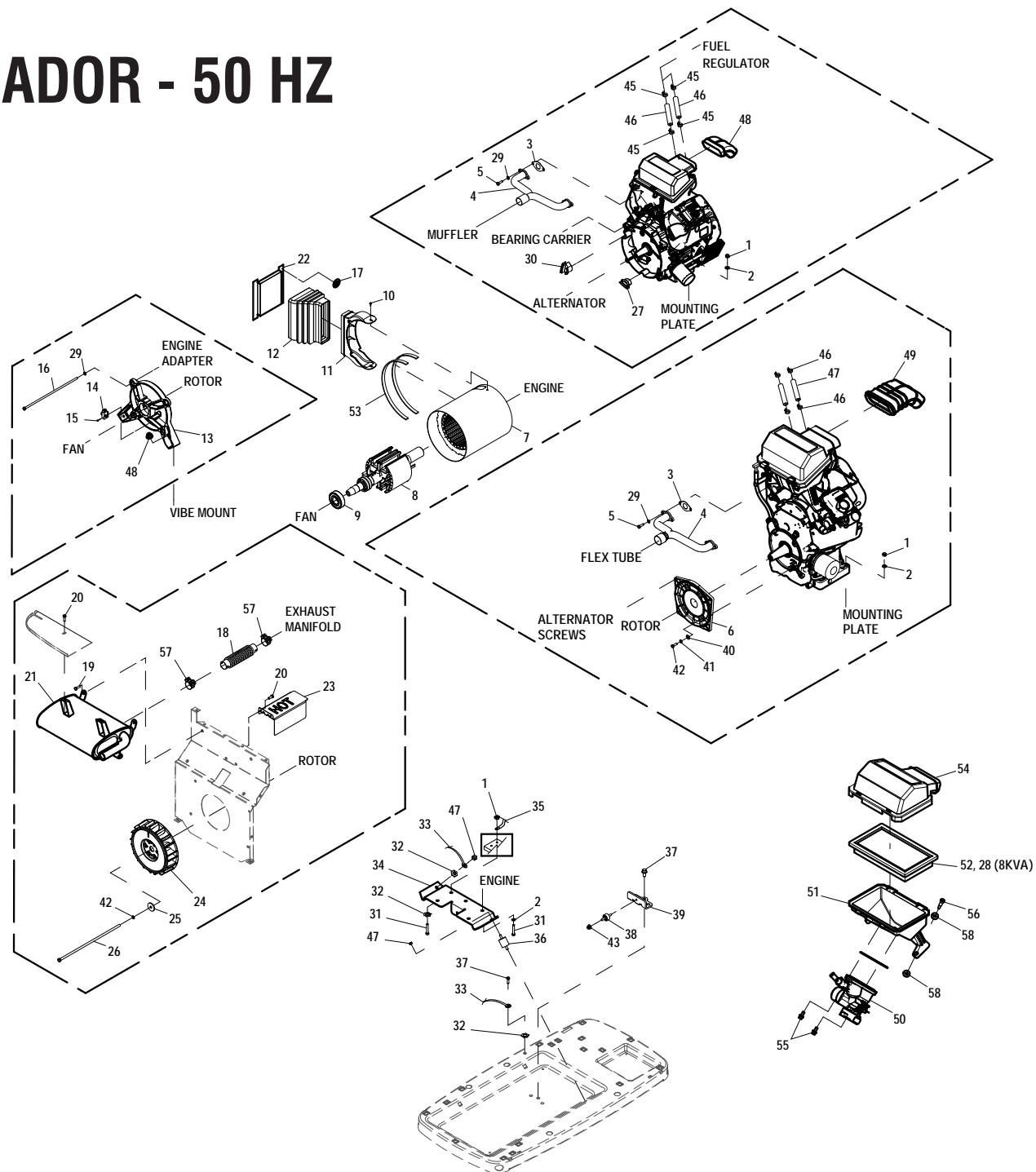
EXPLODED VIEW: EV ENGINE GTH990-999 HSB 2013
 DRAWING #: 0J9882

GROUP D

APPLICABLE TO: 2013 HSB

ITEM	PART #	QTY.	DESCRIPTION	ITEM	PART #	QTY.	DESCRIPTION
64	022145	1	WASHER FLAT M8 - 5/16				
70	0G0919	2	SCREWM6-1.0 X 1.2				
72	0E7585A	2	SPARKPLUG, RCY14 .040" GAP (13,14,16,17 Kw)				
	0G0767A	2	SPARKPLUG, RC12 .040" GAP (20Kw)				
73	0E6043	2	SCREW TAPTITE M5 - 0.8 X 8				
74	0G7606	1	WRAPPER, LOWER CYLINDER 2 ZINC				
75	0G6820	1	SWITCH, OIL PRESS				
76	0H6244	1	EXTENDED BARBED STR 1/4 NPT X 3/8				
77	070185E	1	OIL FILTER, 90mm				
78	0H8131	1	ASSY, OIL DRAIN HOSE ORG				
79	0F2094	2	SCREWM3 - 0.5 X 6 SEMS				
80	094090	1	SWITCH, THERMAL 293F				
81	035461	1	BARBED STRAIGHT 1/4 NPT X 3/8				
82	0G3662B	5	CLAMP, HOSE OETIKER STEPLESS 18.5mm				
83	0F0452C	2	HOSE 3/8" 300PSI 6" LG OIL				
84	0E9506	1	COOLER, OIL				
85	0C9764	4	SCREWPLASTITE 1/4-15 X 3/4				
86	0C3043	2	GASKET, MANIFOLD / PORT				
87	0J9765	1	MANIFOLD INT GTH999 2X				
88	045756	4	SCREW, HHTT M6-1 x 1.0 LONG				
89	082025	1	NUT, HEX LOCK M5-0.8 ZINC				
90	0G3730A	4	SCREWSHC M8 - 1.25 X 30 SEMS				
91	090388	16	SCREW TAPTITE M6-1X12 CLEAR ZINC				
92	0K1307	1	GROMMET 3/16 X 1/16				
93	0C3033	1	WASHER, 25MM I.D.				
94	0C3034	1	NUT, HEX M24				
95	0C9763	4	NUT, GROMMET 1/4 PLUG				
96	0D1131	1	GUARD, FAN				
97	0F1169K	1	HOUSING, BLOWER NG COOLER				
98	0H4957	2	SCREW HHFC M8 - 1.25 X 10 G8.8				
99	0K0710	2	O-RING 1-3/4 X 1/16				
100	0C3032	1	PLATE, FAN				
101	0C3031	1	FAN, NYLON				
102	0C3725B	1	ASSY, FLYWHEEL (13,14,16,17Kw)				
	0C3725D	1	ASSY, FLYWHEEL (20Kw)				
103	0G4928C	1	PLATE, BACKING WITH CUT OUT				
106	082774	1	KEY, WOODRUFF 4 X 19 D				
107	0K3134	1	HOSE BREATHER				
108	0G7604	1	WRAPPER, LOWER CYLINDER 1 ZINC				
109	0G7603	1	WRAPPER, UPPER CYLINDER 1 ZINC				
110	0G7605	1	WRAPPER, UPPER CYLINDER 2 ZINC				
111	0E9323	1	STARTER MOTOR HEAR REDUCED 1KW				
112	061906	2	SCREW HHC M8 - 1.25 X 85 G8.8				
113	022129	3	WASHER LOCK M8 - 5/16				
114	0K1280	1	ASSEMBLY, GROUND WIRE				
116	0G3110	4	SCREW TAPTITE M6 - 1.0 X 2.0 ZINC				
117	0G3224TA	1	ASSY, IGN COIL W/DIODE, CYLINDER 1				
118	0G3224TB	1	ASSY, IGN COIL W/DIODE, CYLINDER 2				
119	082025	1	NUT HEX LOCK M5X 0.8				

ALTERNADOR - 50 HZ

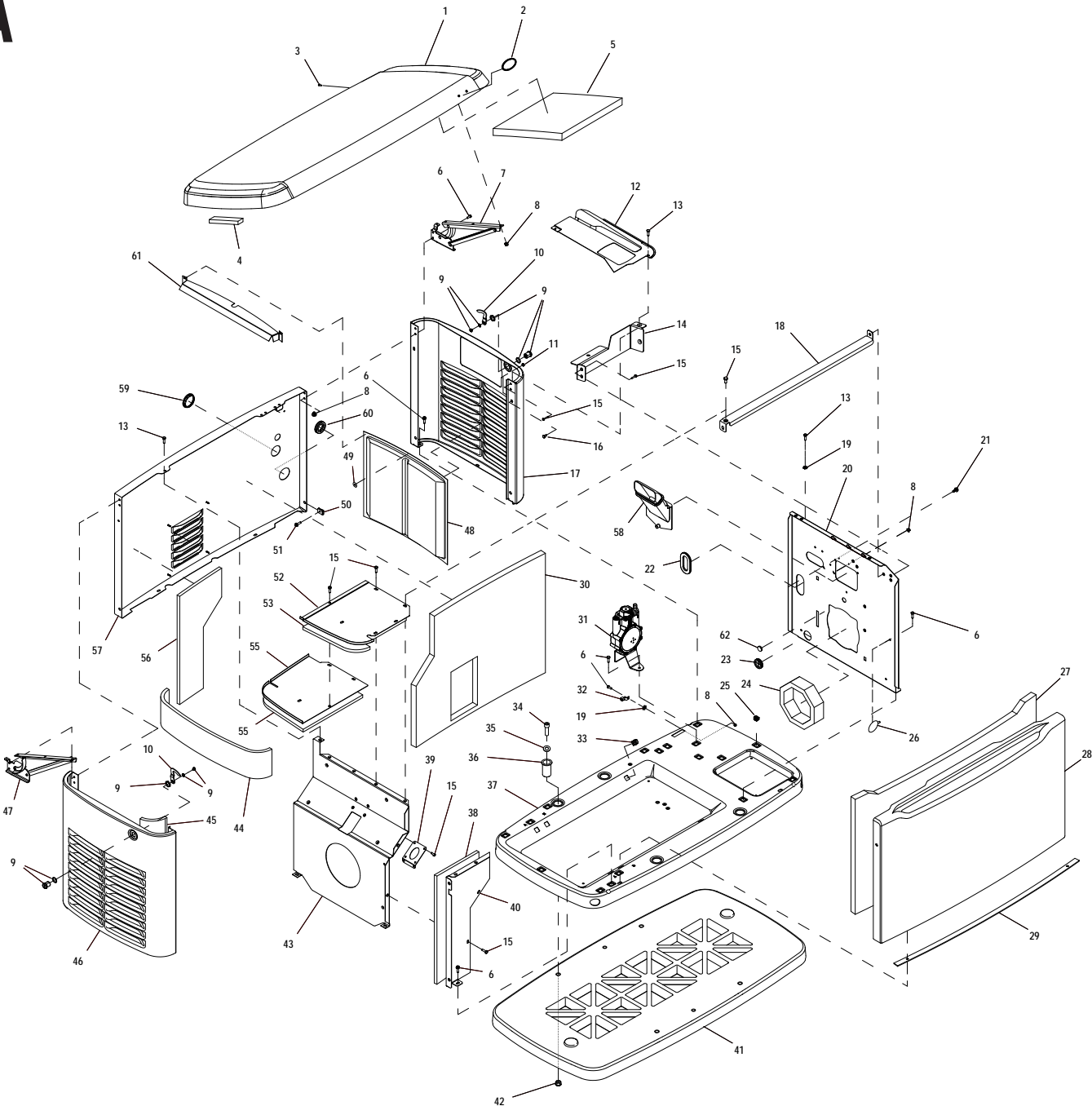


GROUP EV

ITEM	PART	QTY.	DESCRIPTION
1	049820	4	NUT HEX LOCK M8-1.25 NY INS
2	022145	6	WASHER FLAT 5/16-M8 ZINC
3	0C4138	2	GASKET, EXHAUST PORT
4	0F8115	1	MANIFOLD (8 KVA)
	0J7182	1	MANIFOLD
5	040976	4	SCREW SHC M8-1.25 X 20 C12.9
6	0F8186	1	ADAPTOR, ENGINE (8 KVA)
7	0K0467	1	STATOR (8 KVA)
	0K0469	1	STATOR (10 KVA)
	0K0089	1	STATOR (13 KVA)
8	0K0468	1	ROTOR (8 KVA)
	0K0470	1	ROTOR (10 KVA)
	0J9411	1	ROTOR (13 KVA)
9	056482	1	BRG 1.1811-2.8346
10	045756	2	SCREW HHTT M6-1.0 X 10 YEL CHR
11	0G7256	1	DUCT - ALT AIR - 10" CAN - HSB
12	0J6095	1	ALT AIR IN BELLOWS
13	0J6938	1	CARRIER REAR BEARING MACHINED
14	0J8415	1	ASSEMBLY 2 BRUSH
15	066849	2	SCREW HHTT M5-0.8 X 16
16	0J2816	4	SCREW IHHC M8-1.25 X 325 G8.8 (8 KVA)
	0J7644	4	SCREW IHHC M8-1.25 X 335 G8.8 (10 KVA)
	0J7643	2	SCREW IHHC M8-1.25 X 390 G8.8 (13 KVA)
17	0D7176	4	WASHER SELF LOCKING 1"DIA 12GA
18	0G7283	1	FLEX PIPE (8 KVA)
	0J7211	1	EXH FLEX 1-3/4"
19	0C5453	4	SCREW HHTT M8-1.2 X 12 BP
20	090388	4	SCREW HHTT M6-1.0 X 12 ZINC
21	0K0783	1	MUFFLER (8 KVA)
	0J6220	1	MUFFLER
22	0J7062	1	LOUVER SCREEN, ALT AIR IN
23	0G7566	1	FLEX COVER (8 KVA)
	0G7586	1	FLEX PIPE COVER (10 - 13KVA)
24	0J0833	1	FAN EXHAUST
25	0J7051A	1	WASHER FLAT .344ID X 1.62OD
26	0J2817	1	SCREW IHHC 3/8-24 X 14-3/8 G5 (8 KVA)
	0D1838	1	SCREW IHHC 3/8-24 X 15.50 (10 KVA)
	0G7408	1	SCREW IHHC 3/8-24 X 17.50 (13 KVA)
27	0K4360	1	PLUG, GEAR COVER, SMALL
28	0E9371A	1	FILTER AIR HSB (8 KVA)
29	022129	8	WASHER LOCK M8-5/16
30	0G2387	1	PLUG, GEARCOVER ADAPTOR
31	051731	4	SCREW HHC M8-1.25 X 50 C8.8

ITEM	PART	QTY.	DESCRIPTION
32	0C3168	3	WASHER LOCK SPECIAL 5/16
33	0C2417A	1	EARTH STRAP
34	0J8254B	1	530 ENG MOUNTING BRKT (8 KVA)
	0J8255	1	990 ENG MOUNTING BRKT
35	0J9420A	1	CABLE BATT BLK #6 30.0" NEG
36	0C7758	4	VIB MNT
37	083512	4	SCREW HHTT M8-1.2 X 16 YC
38	0J8224	1	VIB MNT .50 X 1.0 X M6X1.00
39	0J8230	1	POWERHEAD BRACKET
40	022131	4	WASHER FLAT 3/8-M10 ZINC (8 KVA)
41	022237	5	WASHER LOCK 3/8 (8 KVA)
	022237	1	WASHER LOCK 3/8 (11 KW)
42	022511	1	SCREW HHC 3/8-16 X 1-1/4 G5 (11 KW)
43	0D3700	1	NUT FLANGE M6-1.0 NYLOK
44	0J9419A	1	CABLE BATT RED #6 38.5" POS (NOT SHOWN)
45	048031M	4	CLAMP HOSE BAND .75
46	0F7065	2 FT	HOSE LP 1/2" ID-THERMOID
47	0H1218	4	NUT FLANGE 5/16-18 NYLOK
48	0K0291	1	SNORKEL ELBOW TO AIR BOX (10-13 KVA)
49	0J9484	1	AIRBOX INTKE SNRKL 530CC (8 KVA)
50	0K3756	1	ASSY MIXER 8KVA HSB (8 KVA)
	0K3755	1	ASSY MIXER 10KVA HSB (10 KVA)
	0K3754	1	ASSY MIXER HSB (13 KVA)
51	0J9442	1	AIR BOX BASE (8 KVA)
	0J7344	1	AIR BOX BASE (10-13 KVA)
52	0J8478	1	FILTER AIR ELEMENT (10-13 KVA)
53	029451	2.6 FT	TAPE, FOAM 1/16" x 1/2"
54	0K1724	1	COVER AIRBOX (8 KVA)
	0K1735	1	AIRBOX HSB (10-13 KVA)
55	0K0913	4	SCREW SHC M6-1.0 X 16LG SEMS
56	0K0904	3	SCREW SHLDR(8MM) M6-1.0 X 29
57	0H1665	2	CLAMP BAND DIA 36-39MM (8 KVA)
	0J7240	2	CLAMP BAND DIA 42.7-46.7MM
58	0D4417	4	WASHER,RUBBER 1/4" X 1/8" THK

CABINA



ITEM	PART	QTY.	DESCRIPTION
1	0J7633A	1	ROOF ASSY GALV BISQUE
2	0G8160	1	BADGE HOLDER - OVAL
3	0G8131	1	PLUG 6.35 BLACK
4	0J7444	10.5 FT.	GASKET, EXTRUDED TRIM
5	0G7774A	3	FOAM, ENCLOSURE ROOF 1.00" THK
6	0C8566	19	SCREW HHFC M6-1.0 X 20 G8.8 (8 kVA)
	0C8566	20	SCREW HHFC M6-1.0 X 20 G8.8
7	0J7098B	1	HINGE ASSY INTAKE END
8	0D3700	9	NUT FLANGE M6-1.0 NYLON
9	0G6624	2	1/4 TURN LOCKING LATCH
10	0G6626	2	1/4 TURN LATCH PAWL
11	052857	2	NUT TOP LOCK FL M6-1.0
12	0J8412B	1	CONTROLLER FACIA
	0J8412A	1	CONTROLLER FACIA (8 kVA)
13	0G4933B	5	SCREW SWT 1/4-20 X 5/8
14	0H6914	1	BRACKET CTRL PNL FRONT (8 kVA)
	0H6915	1	BRACKET CTRL PNL FRONT (10-13 kVA)
15	090388	23	SCREW HHTT M6-1.0 X 12 ZINC
16	0G9386	2	SPACER DOOR
17	0J7064A	1	END PANEL, INTAKE
18	0H7194	1	CROSS SUPPORT HSB (8 kVA)
	0H7195	1	CROSS SUPPORT HSB (10-13 kVA)
19	0A1658	2	WASHER LOCK SPECIAL 1/4"
20	0J9483	1	PANEL ENGINE DIVIDER HSB (8 kVA)
	0J6871A	1	PANEL ENGINE DIVIDER HSB (10-13 kVA)
21	0G7717	3	SCREW HH HI-LO M6.2X10MM
22	0D3472	2	GROMMET OVAL 31.75 X 50.8
23	0E1330	1	GROMMET, 38.1 DIA. CROSS SLIT
24	0F8434	1	FOAM DUCT, ENGINE DIVIDER (10 kVA)
	0F8847	1	FOAM DUCT, ENGINE DIVIDER
25	0G7225	17	PANEL CLIP, M6-1.00 EXPANSION
26	0G0132	1	PUSHBUTTON WIRE TIE
27	0G7779	1	FOAM, FRONT PANEL
28	0G9377A	1	ENCLOSURE FRONT PANEL
29	0G7890	1	GASKET, HSB DOOR SEAL
30	0J6895	1	FOAM, BACK PANEL
31	0G7622G	1	ASSY REGULATOR (8 kVA)
	0J9045	1	ASSY PRESSURE STABILIZER REG (10-13 kVA)
32	055414	1	LUG SLDLSS #2-#8 X 17/64 CU
33	0G7225A	6	PANEL CLIP - 5/16-18 EXPANSION
34	0H1958	4	SCREW SHC 3/8-16 X1.25 W/PATCH
35	022131	4	WASHER FLAT 3/8-M10 ZINC
36	0G7786A	4	BUSHING, HSB ENCLOSURE BASE
37	0J7706	1	ENCLOSURE, BASE
38	0G7843	1	FOAM, FRONT EXHAUST SHIELD (10 kVA)
	0G7849	1	FOAM, FRONT EXHST SHIELD
39	0G8361C	1	GASKET EXH DIVIDER 20KW (8 kVA)
	0J7546A	1	GASKET EXHAUST (10 kVA)
	0J7546B	1	GASKET EXHAUST (13 kVA)

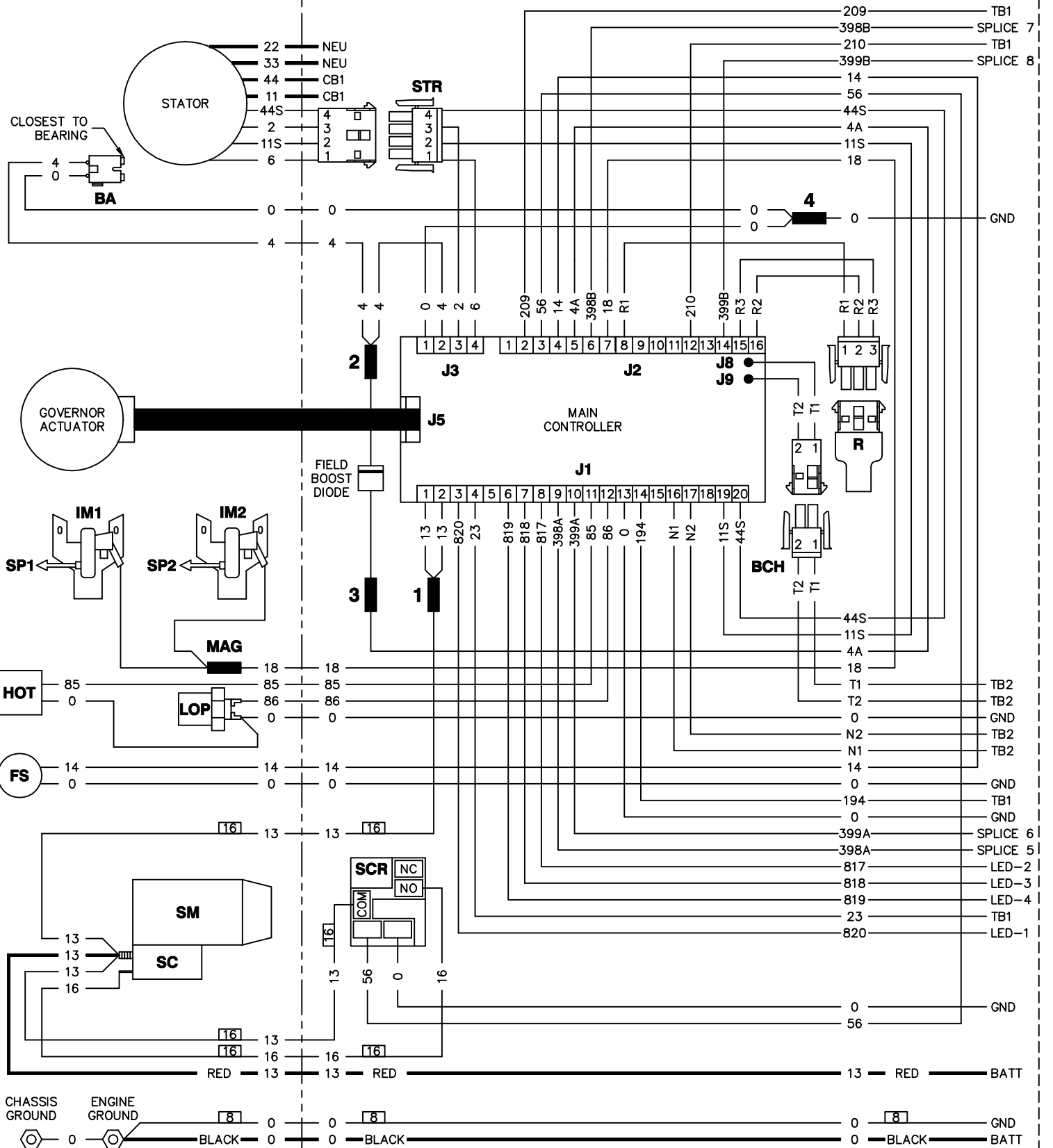
ITEM	PART	QTY.	DESCRIPTION
40	0G6623	1	FRONT EXHAUST SHIELD (10 kVA)
	0G7421	1	FRONT EXHAUST SHIELD (8-13 kVA)
41	0G6619A	1	PAD MTG BASE W/HEX POCKETS
42	022241	4	NUT HEX 3/8-16 STEEL
43	0K3340F	1	EXHST DVDR PNL (8 kVA)
	0K3340B	1	EXHST DVDR PNL (10 kVA)
	0K3340C	1	EXHST DVDR PNL (13 kVA)
44	0G7775	1	FOAM, EXHAUST END PANEL
45	0G7775A	2	FOAM, EXHAUST END PANEL SIDES
46	0J7064B	1	ENCL END PANEL, EXHAUST SIDE
47	0J7098A	1	HINGE ASSY EXHAUST END
48	0G7258	2	SCREEN - HSB LOUVERS
49	0G8166	16	WASHER SELF LOCKING-.106 STUD
50	0G7252	2	CLIP U M6-1.0
51	0G1705	2	SCREW HHFC M6-1.0 X 14 G8.8
52	0G6812	1	COVER, FRONT EXHAUST ENCLOSURE
53	0G7778	1	FOAM, TOP FRONT EXHAUST COVER
54	0G6811	1	COVER, BACK EXHAUST ENCLOSURE
55	0G7776	1	FOAM, TOP BACK EXHAUST COVER
56	0G7842	1	FOAM, BACK PANEL, MUFFLER COMP
57	0J6994	1	ENCL BACK PNL HSB
58	0J6878	1	SNORKEL ENGINE AIR INTAKE
59	0J9137	1	PLUG STEEL 1.750
60	0J7724	1	GROMMET FUEL LINE 3/4"
61	0J7223	1	DEFLECTOR
62	0E1534	1	PLUG PLASTIC 0.687"

ESQUEMA ELÉCTRICO

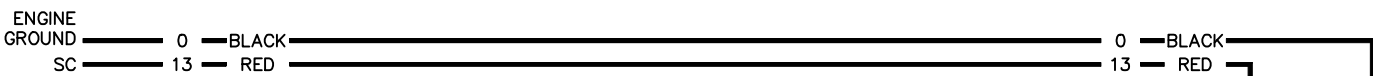
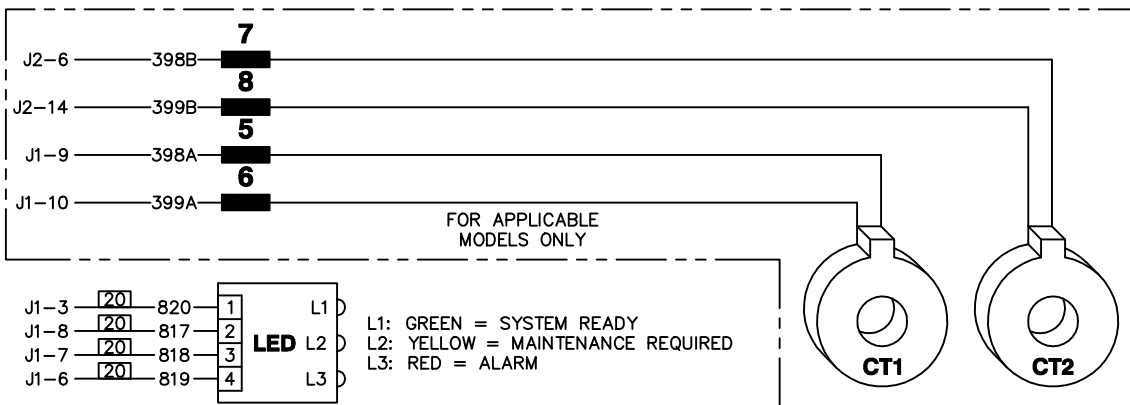
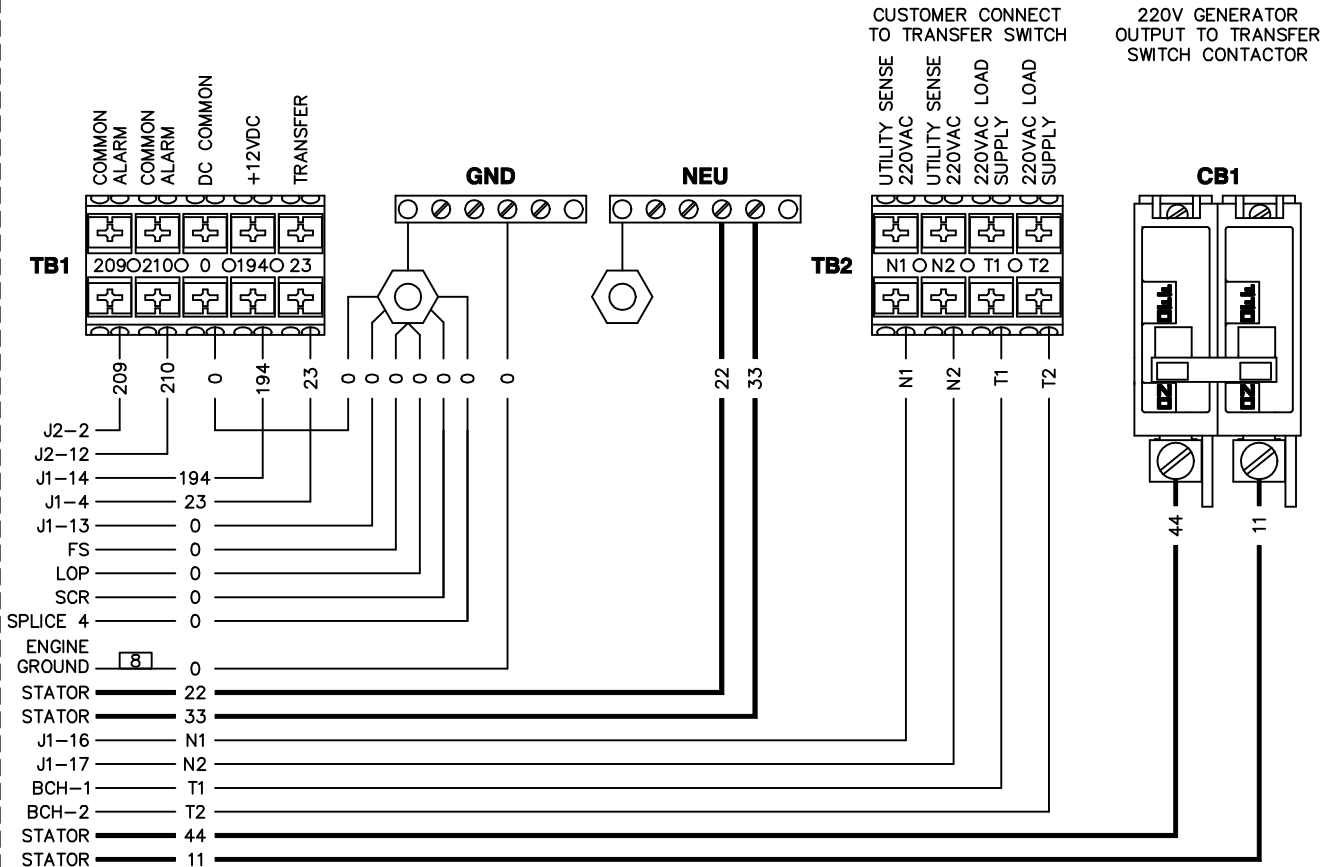
GROUP G

COMPONENTS LOCATED ON ENGINE

COMPONENTS LOCATED IN CONTROL PANEL



COMPONENTS LOCATED IN CUSTOMER CONNECTION AREA

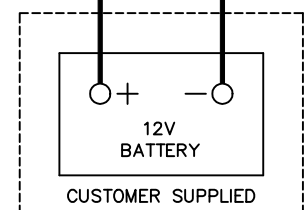
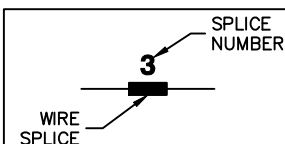


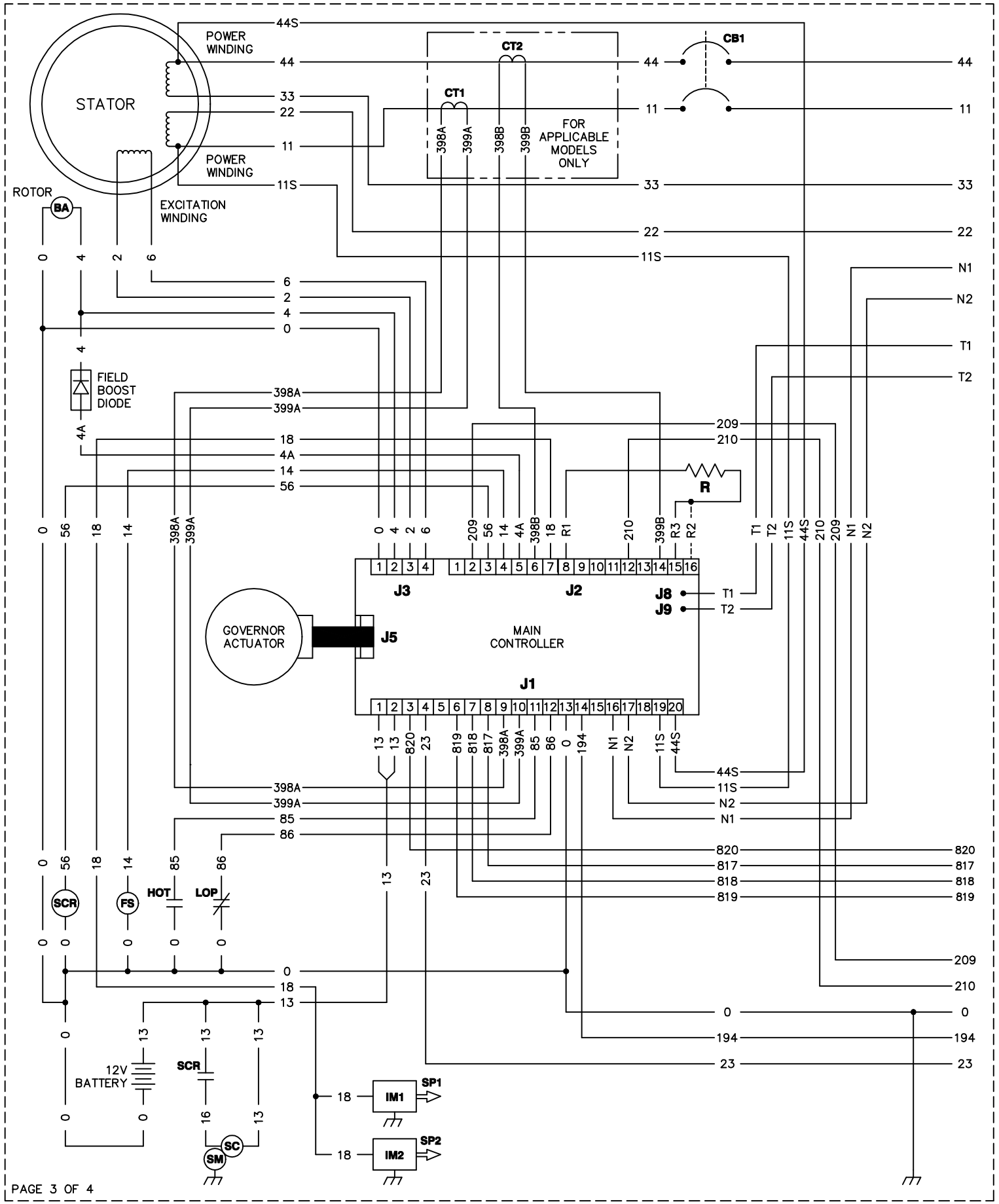
LEGEND

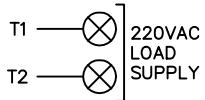
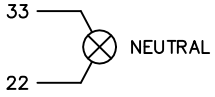
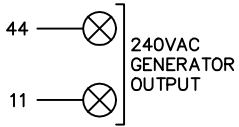
BA — BRUSH ASSEMBLY	SC — STARTER CONTACTOR
BCH — BATTERY CHARGER	SCR — STARTER CONTROL RELAY
CB1 — CIRCUIT BREAKER (MAIN OUTPUT)	SM — STARTER MOTOR
CT_ — CURRENT TRANSFORMER	SP_ — SPARK PLUG
FS — FUEL SOLENOID	STR — STATOR
GFCI — GROUND FAULT CIRCUIT INTERRUPT	TB_ — TERMINAL BLOCKS
GND — GROUND	
HOT — HIGH OIL TEMPERATURE SWITCH	
IM_ — IGNITION MODULE	
LED — LED BOARD	
LOP — LOW OIL PRESSURE SWITCH	
MAG — MAGNETO	
NEU — NEUTRAL	
R — RESISTOR	

NOTE: ALL WIRES 18 AWG 300V UL LISTED UNLESS SHOWN OTHERWISE.

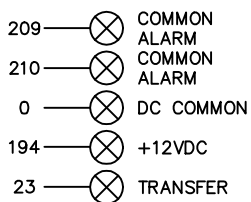
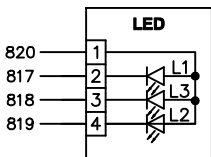
12 AWG SIZE







L1: GREEN = SYSTEM READY
 L2: YELLOW = MAINTENANCE REQUIRED
 L3: RED = ALARM



LEGEND			
BA	- BRUSH ASSEMBLY	LOP	- LOW OIL PRESSURE SWITCH
CB1	- CIRCUIT BREAKER (MAIN OUTPUT)	R	- RESISTOR
CT_	- CURRENT TRANSFORMER	SC	- STARTER CONTACTOR
FS	- FUEL SOLENOID	SCR	- STARTER CONTROL RELAY
HOT	- HIGH OIL TEMPERATURE SWITCH	SM	- STARTER MOTOR
IM_	- IGNITION MODULE	SP_	- SPARK PLUG
LED	- LED BOARD		